

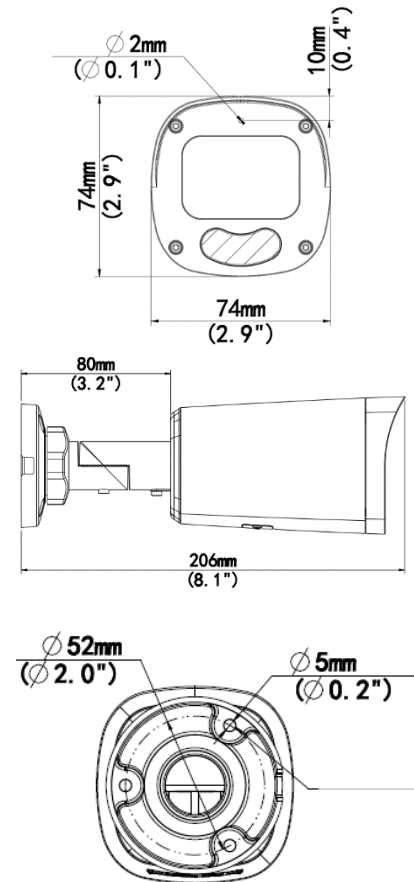
Overview

- 2 Megapixel IR
- WDR 120dB
- 2.8 - 12mm Varifocal Lens
- H.265, H.264, MJPEG
- IP67
- Built-in Mic
- NDAA Compliant
- ONVIF Profile G, S, T






Technical Specifications

| Device | |
|------------------------|---|
| Image Sensor: | 1/2.7", 2.0-megapixel, progressive scan, CMOS |
| Min Illumination: | Colour: 0.005Lux (F1.6, AGC ON) 0Lux with IR |
| Shutter Time: | Auto/Manual, 1 ~ 1/100000s |
| Lens: | 2.8 ~ 12mm, AF automatic focusing and motorized zoom lens |
| WDR: | 120dB |
| SNR: | >52dB |
| Angle of View: | H: 108.05°~32.59°V: 56.81°~18.36°, 111.91°~36.53° |
| Angle Adjustment: | Pan: 0° ~ 360° Tilt: 0° ~ 90° Rotate: 0° ~ 360° |
| 3-Axis Adjustment: | Yes |
| Day & Night: | IR-Cut Filter with Auto Switch (ICR) |
| IR Range: | Up to 50m (164ft) IR range |
| Compression Standard | |
| Video Compression: | H.265, H.264, MJPEG |
| Video Bit Rate: | 128 Kbps ~ 6 Mbps |
| Two Stream: | Yes |
| Analytics: | Cross line, intrusion (based on human body detection) motion detection, tampering alarm, audio detection |
| Image | |
| Max. Image Resolution: | 1920 x 1080 |
| Frame Rate: | 30fps (1920 x 1080) |
| ROI Codec: | Up to 8 areas |
| Image Setting: | White Balance, Digital Noise Reduction, Smart IR, Flip, HLC, BLC, Defog |



Technical Specifications

| Network | | | | | |
|-----------------------------|--|------------|---|---------------|---|
| Protocols: | IPv4, IGMP, ICMP, ARP, TCP, UDP, DHCP, RTP, RTSP, RTCP, RTMP, DNS, DDNS, NTP, FTP, UPnP, HTTP, HTTPS, SMTP, SSL/TLS, QoS, SNMP | | | | |
| Interface | | | | | |
| Communication Interface: | 10M/100M Base-TX Ethernet | | | | |
| Edge Storage | Micro SD, up to 128GB | | | | |
| Audio Compression | G.711 | | | | |
| DORI | | | | | |
| DORI Distance | Lens (mm) | Detect (m) | Observe (m) | Recognize (m) | Identify (m) |
| | 2.8 | 42 | 16.8 | 8.4 | 4.2 |
| | 12 | 180 | 72 | 36 | 18 |
| General | | | | | |
| Safety | CE: EN 62368-1 UL: UL 62368-1 | | | | |
| EMC | FCC: FCC Part 15 CE-EMC: EN 55032/ EN 55035/ EN IEC 61000-3-2/ EN 61000-3-3 | | | | |
| Operating Conditions: | Temperature: -30°C~60°C(-22°F~140°F), Humidity: ≤95%RH (Non-Condensing) | | | | |
| Power Consumption: | Max 8.5 W | | | | |
| Power Supply: | DC 12V±25%, PoE (IEEE 802.3af) | | | | |
| Weatherproof Rating: | IP67 | | | | |
| Dimensions: | 206 × 74 × 74mm (8.1" × 2.9" × 2.9") | | | | |
| Net Weight: | 0.54kg (1.19lb) | | | | |
| Material | Metal | | | | |
| Software: | No license required for use with Video Insight Software | | | | |
| Optional Accessories | M-JB-MINI-B  | | M-PM-B  | | M-NPT34  |

© i-PRO Co., Ltd. All Rights Reserved. i-PRO, Viewnetcam.com, advidia, VideoInsight, ClouDE, and Unified Digital Evidence are registered trademarks or trademarks of i-PRO Co., Ltd., or i-PRO Americas Inc. in various jurisdictions. All other trademarks are the property of their respective owners.