



DVR/NVR



CAMERA



ACCESSORY



SOFTWARE

## EX-SDI 2.0 PoC Camera

# GK1080PBL-IR48-AF

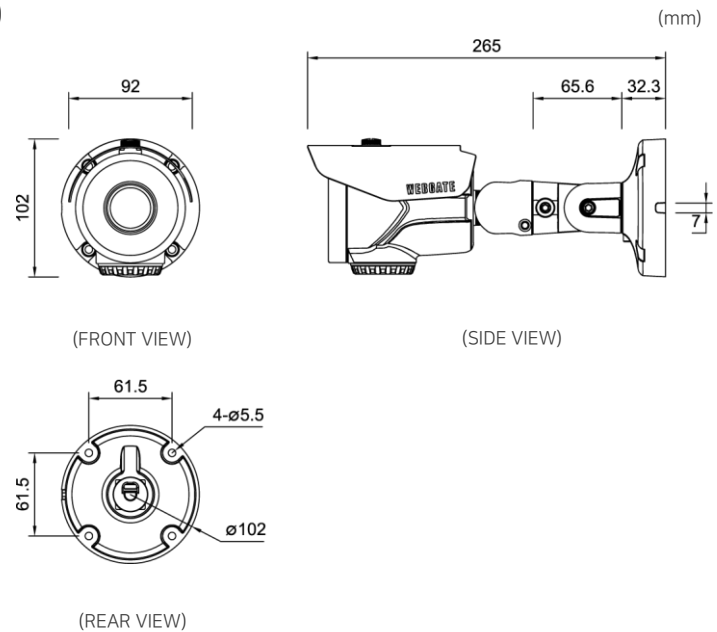
PoC | CoC | SONY STARVIS | HD-SDI | EX-SDI | EX-SDI 2.0



### Key Features

- Power Supply and Control over One Coax Cable (PoC & CoC)
- PoC: 48V
- 2.1 Megapixel Sony STARVIS CMOS Sensor
- HD-SDI / EX-SDI / EX-SDI2.0 Selectable
- DC Iris, 2.7mm~12mm Megapixel 2 Motor Lens
- One-push Auto Focus, Zoom/Focus Control
- 3DNR (Noise Reduction)
- Back Light Compensation (WDR / BLC / HLC)
- True Day&Night (ICR)
- Removing Fog (Defog)
- Privacy Masking (10 zones)
- Smart IR (No Saturation)
- IP66 Level Protection against Dust and Water
- Internal IR LED : 48 pcs

### Dimension



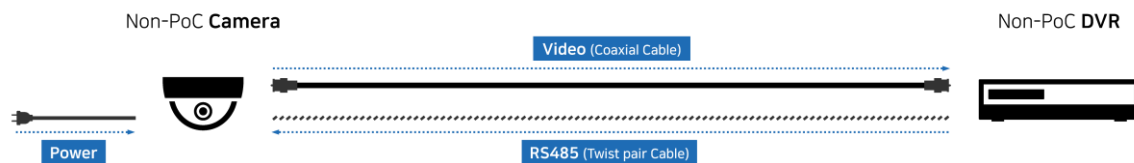
### Tech Note

#### One Cable Solution Power supply and Control over One Coax Cable

PoC(Power over Coax) : Only one Coax Cable is required to supply power. Do not require any power line.

CoC(Control over Coax) : Only one Coax Cable is required to control camera. Do not require RS485 line.

Non-PoC : Additional power line and RS485 line is required.



One cable solution : Only Coax Cable is required to supply power and control camera. Do not require any other lines.





DVR/NVR



CAMERA



ACCESSORY



SOFTWARE

## EX-SDI 2.0 PoC Camera

## K1080PBL-IR48-AF



Description		NTSC	PAL
Sensor Type		2.1 Megapixel SONY STARVIS CMOS Sensor	
Output Pixels		1920 (H) × 1080 (V) = 2.1M pixels	
Scanning System		Progressive Scan	
Lens	Filter	True Day & Night (ICR)	
	Type	2.7~12mm DC IRIS VARIFOCAL 2 Motor LENS (ICR)	
Video	Output	1 (BNC 1.0 Vp-p, 75Ω)	
	Resolution	1080p30	1080p25
	Format	HD-SDI / EX-SDI / EX-SDI2.0 selectable	
Video Control	AGC	LEVEL 0~10	
	S/N Ratio	More than 52dB	
	BLC	OFF / HLC / BLC / WDR	
	ACE	OFF / LOW / MIDDLE / HIGH	
	Min. Illumination	BW: 0.0005Lux@50IRE, F1.3, 3100K, DSS(OFF), AGC(10)	
		Color: 0.2Lux@50IRE, F1.3, 3100K, DSS(OFF), AGC(10)	
	DNR	OFF / LOW / MIDDLE / HIGH	
	Iris Adjustment	DC / Manual	
	White Balance	AUTO / AUTOext / PRESET / MANUAL	
	Electric Shutter	INDOOR / OUTDOOR / INDOOR-ANTI-BLUR / OUTDOOR-ANTI-BLUR / FLICKER / MANUAL (11 Steps)	
	OSD Language	ENG	
	Day&Night	COLOR / BW / EXTERN / AUTO	
	Defog	OFF / ON (AUTO, MANUAL-LOW / MIDDLE / HIGH)	
	Privacy	OFF / ON (Programmable 10 zones)	
	DSS	OFF / AUTO / X2~X32	
	Digital Effect	OFF / H-MIRROR / V-MIRROR	
IR LED	48 pcs		
Smart IR	OFF / ON		
OSD Control		OSD Key / CoC (UCC-A)	
PoC Input Voltage		DC48V±10%	
Power Consumption		IR OFF : 3W (MAX) / IR ON : 8W (MAX)	
Operation Temp./Humidity		-10℃ ~ +50℃ / MAX 90% RH	
Storage Temp./Humidity		-20℃ ~ +60℃ / MAX 90% RH	
Certification		KC	

\* Specifications are subject to change without notice for product improvement.