

WV-CW300L Series

PAL WV-CW324L (24 V AC or 12 V DC)
 WV-CW314L (24 V AC or 12 V DC)
 WV-CW304L (24 V AC or 12 V DC)

Preliminary



Weather Resistant Day/Night Fixed Camera with IR LED and advanced features

Key Features

- High resolution: 650 TV lines
- High sensitivity with Day/Night function: 0.08 lx (Color), 0 lx, (B/W, LED on) at F1.3. IR cut filter switches on/off to enhance the sensitivity in B/W mode. (WV-CW314L/WV-CW324L)
- High sensitivity with Day/Night function: 0.15 lx (Color), 0 lx, (B/W, LED on) at F2.0. IR cut filter switches on/off to enhance the sensitivity in B/W mode. (WV-CW304L)
- IR LED equipped: The equipped infrared LED makes it possible to take pictures at 0 (zero) lx.
 IR LED irradiation distance 50 m (WV-CW324L, WV-CW314L)
 IR LED irradiation distance 20 m (WV-CW304L)
- LED AUTO mode : Control to the best brightness level automatically when the IR LED is ON.
- ABS (Adaptive Black Stretch) enhances visibility of dark area without degrading image quality in bright area.
- ABF (Auto Back Focus) ensures easy installation. (WV-CW324L/WV-CW314L)
- Various adjustment features including BLC (Back-Light Compensation), ATW (Auto Tracing White Balance) and ALC (Automatic Light Control)
- 9 ~ 22 mm 2.4x Varifocal Auto Iris lens (WV-CW324L)
- 2.8 ~ 10 mm 3.6x Varifocal Auto Iris lens (WV-CW314L)
- 2.8 mm Fixed Iris lens (WV-CW304L)
- 16 axis matrix color compensation function enables wider range of natural color adjustment.
- Adaptive Digital Noise Reduction: Integration of 2D-DNR and 3D-DNR ensures noise reduction in various conditions.
- Electronic sensitivity enhancement: Auto (Up to 32x) / Fix (Up to 512x)(WV-CW324L/WV-CW314L)
- Electronic sensitivity enhancement: Auto (Up to 32x) (WV-CW304L)
- Electronic shutter from 1/120 to 1/120,000 sec. (WV-CW324L/WV-CW314L)
- Digital zoom: Up to 2x
- Auto Image Stabilizer for applications where vibration or wind is a concern
- Internal synchronization
- Over the coaxial cable data communication
- 16 alphanumeric camera title display
- Multi language: English, French, Italian, Spanish, German, Russian, Chinese, Japanese
- Lens Distortion Correction
- On screen display menu
- ELC mode for easier lens adjustment upon installation
- IP66 rated water and dust resistant. Compatible with IEC60529 measurement standard.

Standard Accessories

Installation Guide.....	1 pc.
Desiccant instruction for use.....	1 pc.
CD-ROM*.....	1 pc.

The following is used during installation procedures:

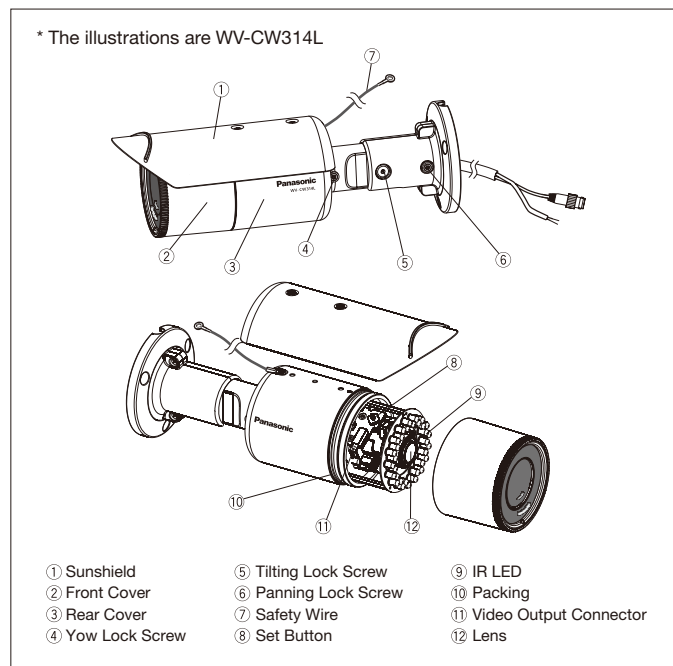
Waterproof tape	1 pc.
Desiccant	1 pc.
Installation template label.....	1 pc.
Spring washer.....	1 pc.

*The CD-ROM contains the operating instructions (PDF).

WV-CW324L / WV-CW314L / WV-CW304L Specifications

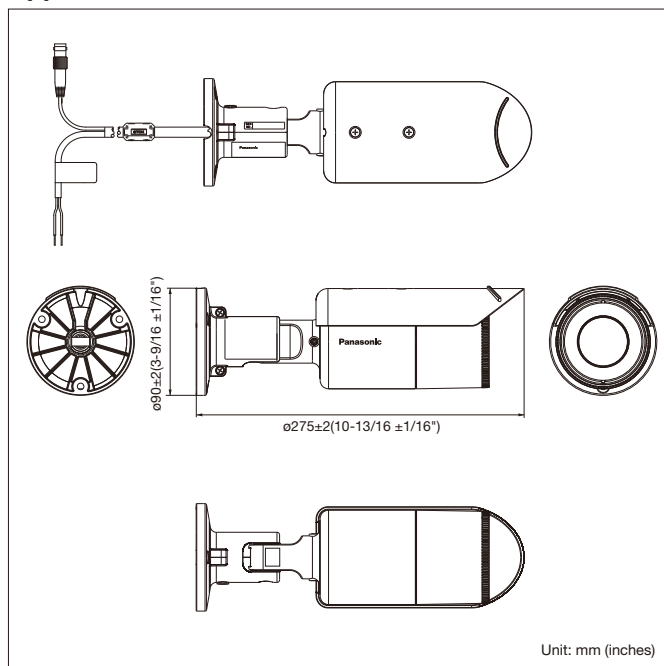
	WV-CW324L	WV-CW314L	WV-CW304L	
Camera	Image Sensor	1/3 type interline transfer CCD		
	Effective Pixels	976 (H) x 582 (V)		
	Scanning Mode	2:1 interlace		
	Scanning Area	4.8 mm (H) x 3.6 mm (V) {3/16 inches(H) x 1/8 inches(V) }		
	Scanning Frequency	Horizontal: 15.625 kHz Vertical: 50.00 Hz		
	Horizontal Resolution	650 TV lines		
	Minimum Illumination	Color : 0.08 lx(color mode) B/W: 0.008 lx (black-and-white mode, LED OFF) B/W: 0 lx (black-and-white mode, LED ON)	Color : 0.15 lx(color mode) B/W: 0.015 lx (black-and-white mode, LED OFF) B/W: 0 lx (black-and-white mode, LED ON)	
	Signal-to-Noise Ratio	52 dB (AGC: OFF)		
	White Balance	AWC (2,000 ~ 10,000 K), ATW1 (2,700 ~ 6,000 K), ATW2 (2,000 ~ 6,000 K)		
	Light Control	ALC/ALC+/ELC		
	BLC	ON / OFF		
	ABS	ON / OFF		
	AGC	ON (LOW, MID, HIGH) / OFF		
	Electronic Shutter	OFF (1/50), 1/120, 1/250, 1/500, 1/1000, 1/2000, 1/4000, 1/10000, 1/120000 (s)		
	Electronic Sensitivity UP	32x max. AUTO, 512x max. FIX		
	Day & Night (IR)	AUTO1/AUTO2/ON/OFF		
	LED	OFF / AUTO / FIX (available for D&N AUTO2 mode or D&N ON mode)		
	Digital Noise Reduction	High or Low		
	Scene File	2 patterns		
	Video Motion Detection	OFF / MOTION DET / SCENE CHANGE		
Privacy Zone	ON(1) / ON(2) / OFF			
Image Stabilizer	ON / OFF			
Auto Focus	LensAF / MANUAL			
IR LED irradiation distance	50 m			
Synchronization	Internal (INT)			
Lens	Focal Length	9 mm ~ 22 mm	2.8 mm	
	Zoom Ratio	2.4x	3.6x	
	Angular Field of View	H: 30° 57' (Wide) ~ 12° 25' (Tele) V: 23° 28' (Wide) ~ 9° 20' (Tele)	H: 100° 50' (Wide) ~ 27° 39' (Tele) V: 73° 51' (Wide) ~ 20° 45' (Tele)	H:101.30' V: 75°
	Maximum Aperture Ratio	1:1.6 (Wide) ~ 1:3.0 (Tele)	1:1.3 (Wide) ~ 3.1 (Tele)	2.0
	Focusing Range	0.3 m ~ ∞	0.3 m ~ ∞	0.5 m ~ ∞
Input / Output	Video Output	1.0 V [p-p] / PAL composite 75 Ω		
	Controller Interface	Coaxial Multiplex System		
General	Setup Method	OSD setup menu		
	Language	English, French, Italian, Spanish, German, Russian, Chinese, Japanese		
	Power Source and Power Consumption	24 V AC: 5.2 W, 12 V DC: 560 mA(LED ON)		
	Ambient Operating Temperature	-10 °C ~ +50 °C (14 °F ~ 122 °F)		
	Ambient Operating Humidity	90 % or less (without condensation)		
	Water and Dust Resistance	IP66, IEC60529 measuring standard compatible		
	Dimensions	ø79 mm X 245 mm (ø3-1/8 inches x 9-5/8 inches)		
	Mass (approx.)	1050 g (2.31 lbs.)		
	Finish	Silver (SL23-b2)		

Part Names and Functions



Important
 - Safety Precaution: Carefully read the operating instructions and installation manual before using this product.

Appearance



• Weights and dimensions are approximate.
 • Specifications are subject to change without notice.
 • These products may be subject to export control regulations.

DISTRIBUTED BY:

Panasonic

<http://panasonic.net/security/>

<http://www.facebook.com/PanasonicNetworkCamera>

Printed in Japan (2A-102A)