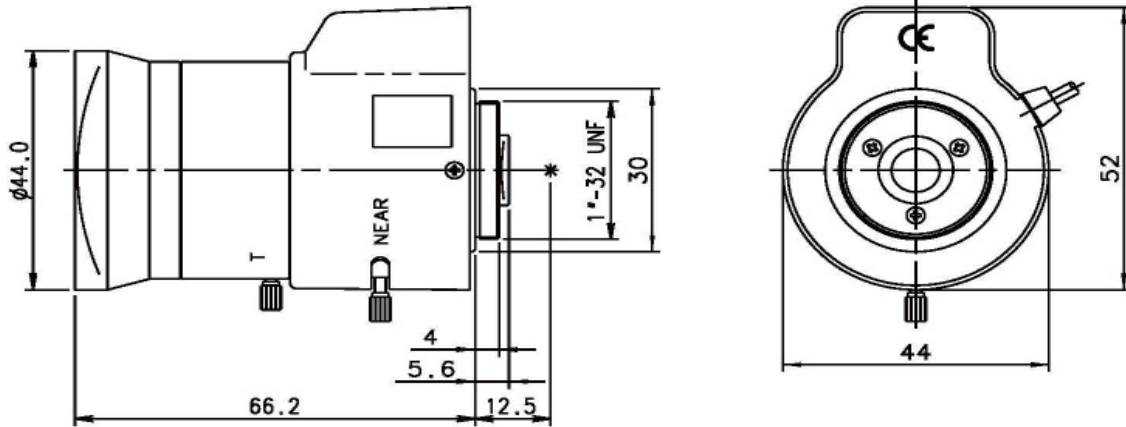


LMVZ550A-IR



| | |
|-------------------------|-------------------|
| Model | LMVZ550A-IR |
| Focal Length (mm) | 5.0~50 |
| Image Size (mm) | 1/3" (Ø6) |
| Iris Range (F-Stop) | F1.4~360 |
| Focusing Range (m) | 0.5 |
| Iris Control | DC |
| Focus Control | Manual |
| Angle of View (degrees) | — |
| 2/3" | — |
| 1/2" | — |
| 1/3" | 52.7X39.6~5.7X4.3 |
| Back Focus in Air (mm) | 7.6~11.5 |
| Mount | CS-Mount |
| Filter Size (mm) | — |
| Size (mm) | Ø44X52X71.8 |
| Weight (g) | 157 |
| Temperature Range | -10°C ~ 45°C |