

Vandal-Resistant HD Security Camera

- Excellent 720p HD picture quality, supporting H.264 at 30 fps
- 1.3 Megapixel (1280 x 960) maximum resolution
- Three codecs (H.264, MPEG-4, JPEG) and a dual streaming capability
- 1/3.8 type progressive scan CMOS sensor incorporated to realize high image quality



HD 1.3M

KEY FEATURES

- Compact and stylish design for discreet surveillance solution.



- IK10-rated vandal-resistant feature to protect the camera from destructive behaviors.
- Electrical Day/Night function to switch to Day or Night mode depending on the light level.
- Stream Squared function to send two 4:3 aspect ratio videos in user-selectable resolutions up to SD simultaneously (Low-cost solution to replace two SD cameras located in a line).

Example



Dual Streaming

1st Streaming
VGA video of a whole



2nd Streaming
VGA video of a cropped area



- Intelligent Motion Detection that supports DEPA.



- Analog monitor output (AV mini jack).
- Powered by PoE (Power over Ethernet) for simple installation.
- Recording software (RealShot Manager Lite) is bundled to start recording and monitoring instantly.
- ONVIF (Open Network Video Interface Forum) Version 1.01 conformance that ensures greater interoperability and more flexibility in building multiple-vendor systems.

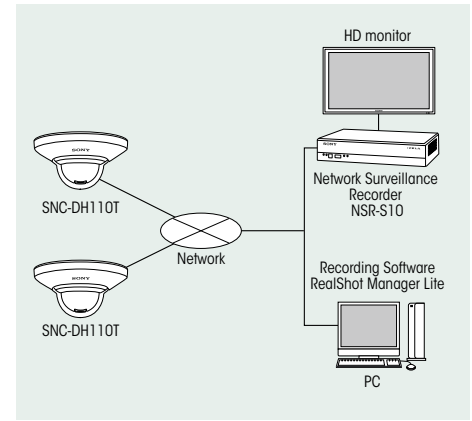


SPECIFICATIONS

SNC-DH110T	
Camera	
Image device	1/3.8 type CMOS sensor
Minimum illumination	5.5lx / AGC 30dB / 50IRE[IP]
Number of effective pixels (H x V)	1.3 Megapixel (1296x985)
Electronic shutter speed	1/2s to 1/10000s
Gain control	Auto
Exposure control	Auto, EV Compensation, Auto Slow Shutter
White balance mode	Auto (ATW, ATW-PRO), Preset, One-push WB, Manual
Lens type	fixed
Horizontal viewing angle	79 degrees
Focal length	f=2.34
F-number	F2.8
Minimum objects distance	500 mm
Pan angle	Approx. 340°
Tilt angle	0° to 57°
Camera Features	
Day/Night	Yes (Electrical D/N)
Noise reduction	Yes
Image	
Codec image size (H x V)	1280x960, 1280x720, 1024x768, 1024x576, 768x576, 720x576, 704x576, 800x480, 720x480, 640x480, 640x368, 384x288, 352x288, 320x240, 320x192, 176x144
Video compression format	H.264, MPEG-4, JPEG
Codec streaming capability	Dual streaming
Maximum frame rate	JPEG / MPEG-4 / H.264: 30fps (1280x960 / 1280x720)
Scene Analytics	
Intelligent motion detection	Yes
Network	
Protocols	IPv4, IPv6, TCP, UDP, ARP, ICMP, IGMP, HTTP, HTTPS, FTP (client), SMTP, DHCP, DNS, NTP, RTP/RTCP, RTSP, SNMP (MIB-2)
ONVIF conformance	Yes
Wireless network	No
Number of clients	5
Authentication	IEEE802.1X
Analog Video Output	
Signal system	NTSC / PAL
Interface	
Ethernet	10BASE-T / 100BASE-TX (RJ-45)
Analog monitor output	AV MiniJack
Sensor input	x 1
General	
Mass	170 g (6 oz) *Without cable
Dimensions	ø 106 x 56.5 mm (ø 4 1/4 x 2 1/4 inches)
Power requirements	PoE IEEE802.3af compliant, class 1
Power consumption	2.4 W max.
Working temperature	0° to 50 °C (32°F to 122°F)
Storage temperature	-20° to +60 °C (-4°F to +140°F)
Vandal Resistant	IK10
Safety regulation	UL2044, FCC 15B Class B, IC Class B, IEC60950-1, EN55022(B)+EN55024+EN50130-4, VCCI Class B, C-Tick Class B
System Requirements	
Operating system	WindowsXP, WindowsVista(32bit), Windows7(32bit)
Processor	Intel Core2 Duo 2 GHz or higher
Memory	1 GB or more
Web browser	Microsoft Internet Explorer Ver.6.0, 7.0, or 8.0 Firefox Ver.3.5 (Plug-in free viewer only) Safari Ver.4.0 (Plug-in free viewer only) Google Chrome Ver.4.0 (Plug-in free viewer only)
Supplied Accessories	
	CD-ROM (User's Guide, SNC Toolbox, RSM-Lite) Installation manual B&P Warranty Booklet Sensor input cable Template

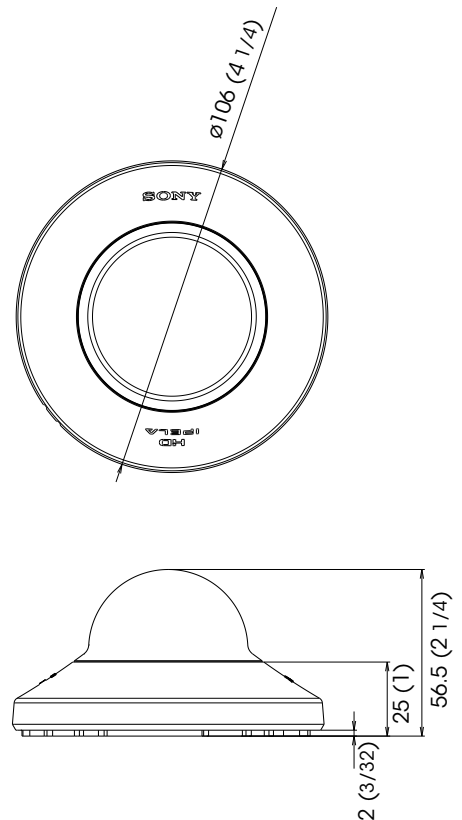
* The SNC-DH110T includes software developed by the OpenSSL Project for use in the OpenSSL Toolkit (<http://www.openssl.org/>).

SYSTEM CONFIGURATION



DIMENSIONS

Unit: mm (inches)



Distributed by

© 2010 Sony Corporation. All rights reserved.
 Reproduction in whole or in part without written permission is prohibited.
 Features and specifications are subject to change without notice.
 The values for weight and dimension are approximate.
 "SONY", "make.believe", "IPELA" are registered trademarks of Sony Corporation.
 Windows, XP, and Vista are trademarks of Microsoft Corporation.
 Core is a trademark of Intel Corporation.
 All other trademarks are the property of their respective owners.