

HD-SDI IR Bullet Camera

Lines

Full HD, 36 IR

DMC-2036BIC

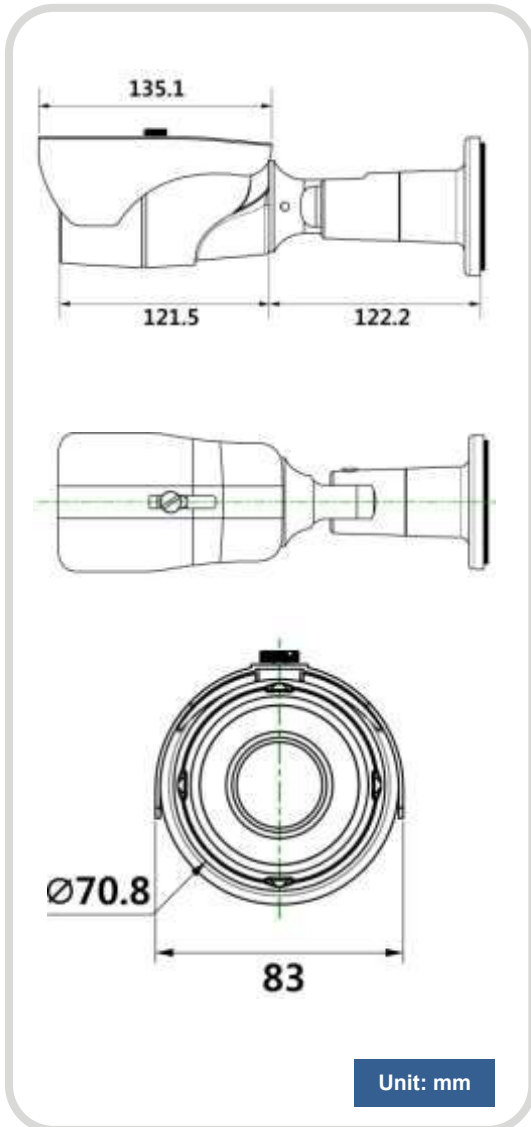
◆ Picture



◆ Feature

- 1/2.8" PS-Sony Exmor CMOS
- Full HD 2Megapixel (1080p) Display
- Low up to 0.001Lux, LED On:0Lux, Day/Night with ICR
- Motion Detection (4), Privacy Masking (16), Digital Zoom (16x)
- 3D-DNR (Digital Noise Reduction), Defog, OSD
- POC (Transfer power of the camera via Coaxial): Max. 100m
- HD-SDI(150m/5CHFBT) or EX-SDI(300m/5CHFBT)
- 2.8~12mm Mega Pixel DC Auto Iris Lens
- Built-In High Effective IR 36 EA (Visible Distance: 30M)
- Weather-proof (IP66), Concealed bracket type
- Anti-moisture window glass

◆ Specifications



◆ Dimensions

MODEL	DMC-2036BIC
Video	
Image Sensor	1/2.8" 2.4Mega(1080p) PS-Sony CMOS
Scan mode	Progressive Scan
Total number of pixels	2000(H) × 1241(V)
Number of active pixels	1984(H) × 1097 (V)
Resolution	1,100 TVL
Minimum illumination	0.001Lux with Sense-up(32x)
Video Output	HD-SDI/EX-SDI, SMPTE-292M
S/N Ratio	More than 50dB (AGC Off)
Lens	
Lens	2.8 ~ 12mm MP DC Auto Iris Lens
Iris	DC Auto Iris
Function	
Day & Night	Auto / Day / BW / EXTERN
White Balance	Auto / Auto-ext / Preset / Manual
AGC	Level Setting(1~10)
DNR	Off / Low / Middle / High
Privacy / Motion	Off / On
Mirror / Flip	16 Zones / 4 Zones
Brightness	Level (1~20)
Shutter	Auto/Manual(1/30~1/30000)
Back light	WDR/HLC/BLC
POC	Max. 100m
IR LED	
LEDs	36 LEDs (850nm)
Visible Distance	30m
Environment	
Operating Humidity	30 % ~ 90 % RH
Operating Temp.	-30°C~60°C(-22°F~140°F)
Electrical	
Power Consumption	Max 6.5W
Power Supply	DC12V±10, Dual Type: AC24/DC12V(Optional)
Mechanical	
Construction	Aluminum Body, Acrylic Window
Dimension	243.7mm(L) X 83.0mm(H) X 70.8 Ø
Weight	About 0.65Kg

Available at: Jia Ying Trading Pte Ltd

1 Rochor Canal Road #02-67/69/34-37 Sim Lim Square, Singapore 188504

Tel: 63360404 Fax: 63380404 | www.jiaying.com | email@jiaying.com