

HD-SDI Dome Camera

Lines

Full HD, 24 IR

DMC-2024PMC

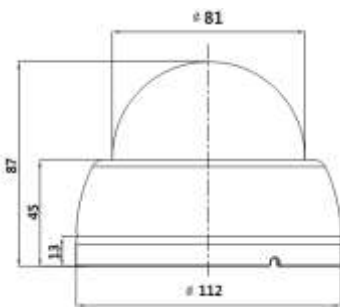
◆ Picture



◆ Feature

- 1/2.8" PS-Sony Exmor CMOS
- Full HD 2Megapixel (1080p) Display
- Low up to 0.001Lux, LED On:0Lux, Day/Night with ICR
- Motion Detection (4), Privacy Masking (16), Digital Zoom (16x)
- 3D-DNR (Digital Noise Reduction), Defog, OSD
- POC (Transfer power of the camera via Coaxial): Max. 150m
- HD-SDI(150m/5CHFBT) or EX-SDI(300m/5CHFBT)
- 3.6mm Fixed Mega Pixel Lens
- Built-In High Effective IR 24 EA (Visible Distance: 15M)
- 3Axis, Indoor Type

◆ Dimensions



Unit: mm

◆ Specifications

MODEL	DMC-2024PMC
Video	
Image Sensor	1/2.8" 2.4Mega(1080p) PS-Sony CMOS
Scan mode	Progressive Scan
Total number of pixels	2000(H) x 1241(V)
Number of active pixels	1984(H) x 1097 (V)
Resolution	1,100 TVL
Minimum illumination	0.001Lux with Sense-up(32x)
Video Output	HD-SDI/EX-SDI, SMPTE-292M
S/N Ratio	More than 50dB (AGC Off)
Lens	
Lens	3.6mm Varifocal Mega Pixel Lens
Iris	Electric Iris
Function	
Day & Night	Auto / Day / BW / EXTERN
White Balance	Auto / Auto-ext / Preset / Manual
AGC	Level Setting(1~10)
DNR	Off / Low / Middle / High
Privacy / Motion	Off / On
Mirror / Flip	16 Zones / 4 Zones
Brightness	Level (1~20)
Shutter	Auto/Manual(1/30~1/30000)
Back light	WDR/HLC/BLC
POC	Max. 150m
IR LED	
LEDs	24 LEDs (850nm)
Visible Distance	15m
Environment	
Operating Humidity	30 % ~ 90 % RH
Operating Temp.	- 10°C to 50°
Electrical	
Power Consumption	Max 4.9W
Power Supply	DC12V±10, Dual Type: AC24/DC12V(Optional)
Mechanical	
Construction	Plastic body ,PC bubble
Dimension	87mm(H) X 81Ø
Weight	About 0.4Kg