

HD-SDI Bullet Camera

Lines

Full HD, 24 IR

DMC-2024BIC

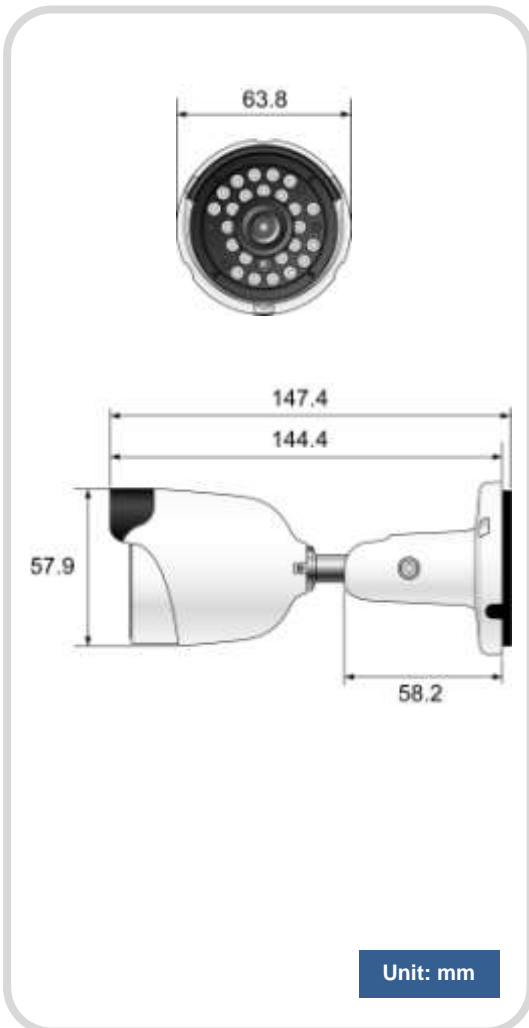
◆ Picture



◆ Feature

- 1/2.8" PS-Sony Exmor CMOS
- Full HD 2Megapixel (1080p) Display
- Low up to 0.001Lux, LED On: 0Lux
- Day/Night with ICR
- Auto DNR (Digital Noise Reduction)
- POC (Transfer power of the camera via Coaxial): Max 150m
- HD-SDI(150m/5CHFBT) or EX-SDI(300m/5CHFBT)
- 3.6mm Fixed Mega Pixel Lens
- Built-In High Effective IR 24 EA (Visible Distance: 15M)
- Outdoor Type

◆ Dimensions



◆ Specifications

MODEL	DMC-2024BIC
Video	
Image Sensor	1/3" 2.2 Mega(1080p) Panasonic CMOS
Scan mode	Progressive Scan
Total number of pixels	2010(H) × 1108 (V), 2.2M
Number of active pixels	1944(H) × 1092 (V)
Resolution	1,100 TVL
Minimum illumination	0.001Lux with Sense-up(8x)
Video Output	HD-SDI, SMPTE-292M
S/N Ratio	More than 50dB (AGC Off)
Lens	
Lens	3.6mm Fixed Mega Pixel Lens
Iris	Electric Iris
Function	
Day & Night	Auto
White Balance	Auto
AGC	Auto
DNR	Auto
Shutter	Auto
POC	Max. 150m
IR LED	
LEDs	24 LEDs (850nm)
Visible Distance	15m
Environment	
Operating Humidity	30 % ~ 90 % RH
Operating Temp.	-30°C~60°C(-22°F~140°F)
Electrical	
Power Consumption	Max 4.9W
Power Supply	DC12V±10,
Mechanical	
Construction	Aluminum body , Acrylic Window
Dimension	57.9mm(H) X147.4 mm(L) X63.8mm(W)
Weight	About 0.4kg