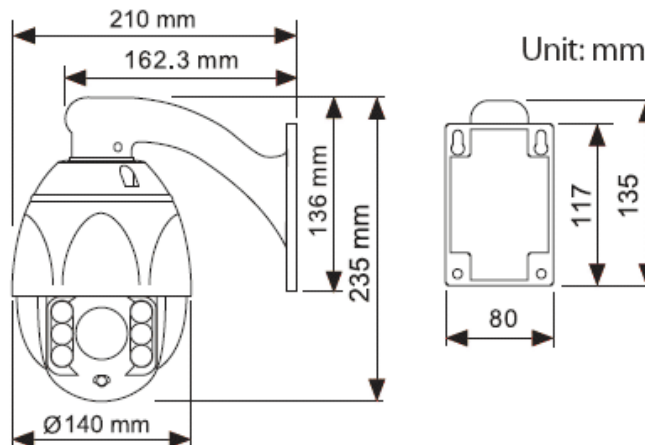


HD-SDI MINI HIGH SPEED DOME CAMERA

OUTDOOR: WALL-MOUNTED (15CDH510WIB)
INDOOR: CEILING-MOUNTED (15CDH510EIB)

FEATURES

- Full HD: 1080p video resolution with HD-SDI output (conforms to SMPTE292M)
- True PTZ: Pan: 360° / Tilt: -10°~90° with auto flip
- IR LED x 6 (up to 50m IR range)
- 10X optical zoom
- Easy Setup: Full function by OSD control
- Flexible: Camera module selectable
- IP66-rated water proof, 3KV lightning and surge protection
- 8 groups of preset program
- 8 sets of swing actions
- 4 pattern tours
- RS-485 multiple protocols, Pelco-P, Pelco-D compatible
- Includes built-in fan and heater



SOLE AGENT:



15CDH510WIB / 15CDH510EIB - SPECIFICATIONS

CAMERA	
EFFECTIVE PIXEL SIZE	1920(H)x1080(V) Full HD
SCANNING SYSTEM	Progressive
SYNCHRONIZATION	Internal
DIGITAL RESOLUTION	1920x1080p@30fps, 1280x720p @60fps
VIDEO OUTPUT	BNC x 1 for HS-SDI
LENS	10X optical zoom, f=5-50mm
S/N RATIO	More than 50db
MIN. ILLUMINATION	0.1Lux (Color) ; 0.01 Lux (B/W)
ACG, BLC, WDR	Yes
SHUTTER SPEED	1/30~1/10,000 sec
DSS / SENSE-UP	Yes
FLICKERLESS / FLK	Yes
BRIGHTNESS	Yes
DAY / NIGHT FUNCTION	Yes
WHITE BALANCE	Auto / Manual
DNR	2D-DNR
MIRROR FUNCTION	Yes
SHARPNESS	Yes
DEFOG FUNCTION	Yes
AUTO IRIS	Yes
PRIVACY MASK	Yes
IR LEDES	High power 6 pcs
IR RANGE	Up to 50m
VIDEO	
PRIVACY MASK	Yes
PTZ	
ROTATION	Pan: 360° / Tilt: 0°~90°
ROTATION SPEED	Pan: 0.02-200°/S ; Tilt: 0.02-120°/S
PRESET POINT	127 presets with defined titles
AUTO SCAN	1 auto scan track
AUTO TRACKING	Supported
PATTERN TOUR	4 patterns
AUTO CRUISING	8 cruising tracks
GENERAL	
CASING	Aluminum
CONNECTORS	RS485 x 1
OPERATING CONDITIONS	-10°C~55°C (Humidity <90%RH)
PROTECTION	IP66 water proof, Level 2 lightning protection, 3KV surge protection
POWER	DC12V ±10%, 50W
WEIGHT	2.5kg

SOLE AGENT:



JIA YING TRADING PTE LTD
佳映贸易私人有限公司

Address: 1 Rochor Canal Road, #02-67/69/34/35/36/37,
Sim Lim Square, Singapore 188504 **Tel:** 6336-0404 **Fax:** 6338-0404
Email: jiaying@singnet.com.sg **Website:** <http://www.jiaying.com>