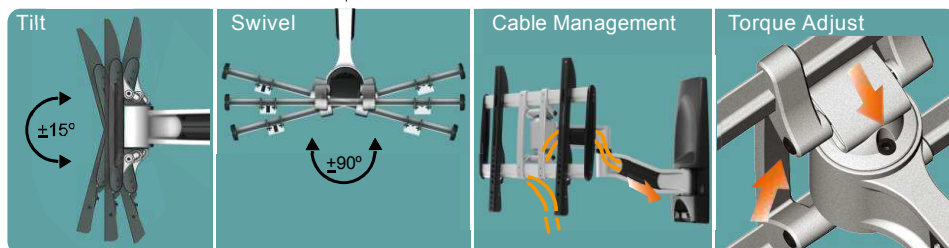
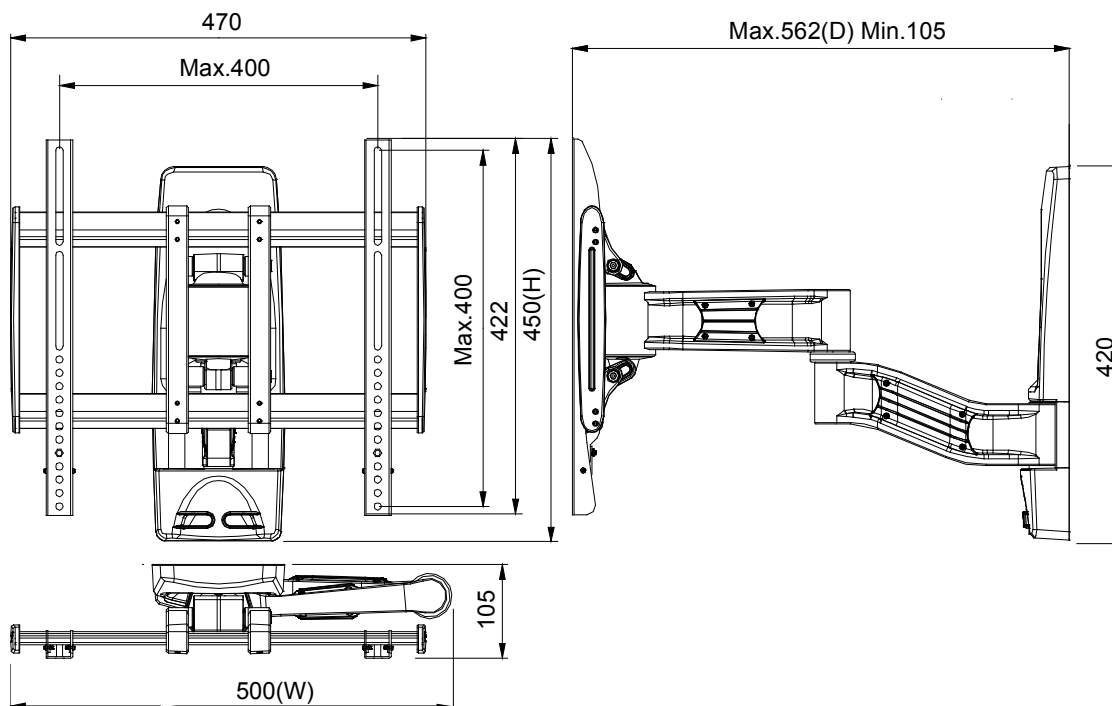




HT AR240

SPECIFICATIONS

Mounting Pattern	Max. Mount :400x400 mm
Screw Type	M4,M5,M6,M8
Material	Steel/Aluminum Alloy/Plastic
Dimension(W*H*D)	500*450*562mm(19.69" x17.72"x 22.13")
Weight(Net)	7.75 Kg (17.09lbs)
Swivel(Hinge)	+/-90°
Tilt(Hinge)	+/-15°
Support Max. Weight	35Kg(77.2lbs)
Support Flat Panel Size	26" ~65"
Max. Distance To The Wall	562mm (22.13")
Min. Distance To The Wall	105mm (4.13")
Extended Arm Provided	2



Available at: Ladders & Hardware Pte Ltd | Jia Ying Trading Pte Ltd

1 Rochor Canal Road #02-37/ 67 Sim Lim Square Singapore 188504

Tel: 63360404 Email: jjaying@singnet.com.sg www.jiaying.com | www.laddersandhardware.com