



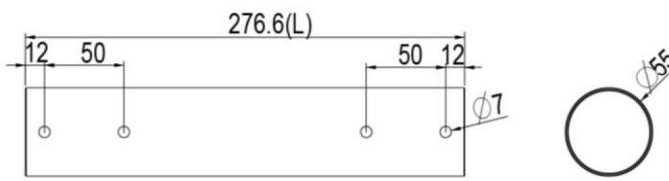
### Extender pipe for ceiling projector mount

**Model :PL955**

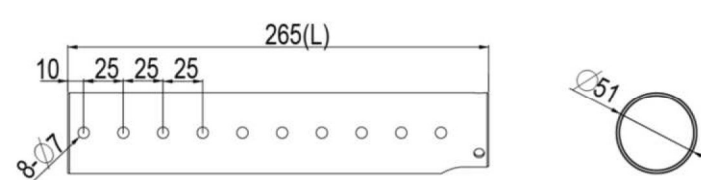
SPECIFICATIONS	
Material	Aluminum Alloy
Dimension( $\Phi$ *L)	Outside Pipe: $\Phi$ 55*276.6mm( $\Phi$ 2.17"x10.89") Inside Pipe: $\Phi$ 51*265mm( $\Phi$ 2.00"x10.43")
Weight(Net)	0.44 kg (0.97lbs)

Outside Pipe:



Inside Pipe:




---

Demo: PL320+PL955

