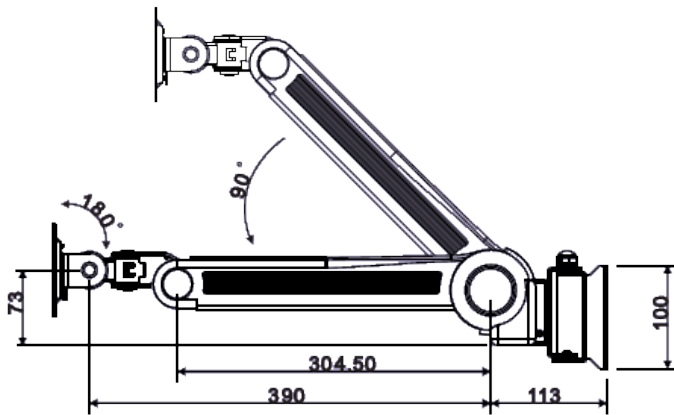


## NOTEBOOK WALL ARM (A-511)

- 180° up-down pivot
- 180° left-right swivel
- With laptop platform
- Holds between 1-10KG
- Easy to mount onto the wall
- Superior flexibility and movement
- Adjustable arm, workspace saver
- Meets VESA 75x75mm/ 100x100mm standard



Unit:mm

CONFIGURATION	
UP-DOWN PIVOT	180°
LEFT-RIGHT SWIVEL	180°
PHYSICAL	
MAXIMUM LENGTH	53.5cm
PHYSICAL WEIGHT	3KG
MAXIMUM LOAD WEIGHT	1-10KG
STANDARDS	
CLASSIFICATION	Meets VESA standards (7.5x7.5cm and 10x10cm)

SOLE AGENT: