



HT TS742E

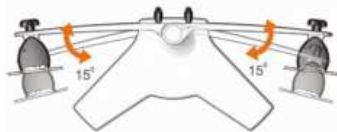
SPECIFICATIONS

Max. wall mount hole pitch	100x100mm/75x75mm
Screw Type	M4
Material	Steel/Aluminum Alloy
Dimension(W*D*H)	672*240.2*370mm(26.46"x9.46"x14.57")
Weight	3.3Kg(7.3lbs)
Swivel	Max. +/- 20 ° (For each "Hinge")
Tilt	Max. +/- 20° (For each "Hinge")
Rotate(Pivot)	90° (For each "Hinge")
Support max. weight	12 Kg(26.5 lbs) (For each "Hinge")
Support flat panel size	15"~ 24"

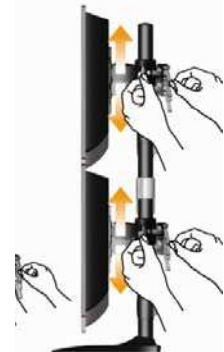
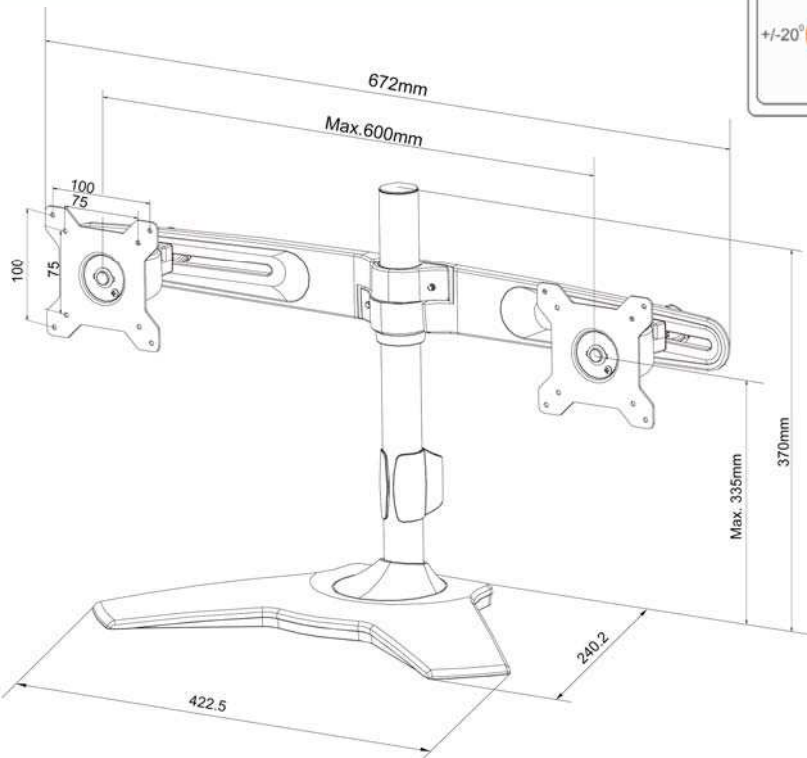
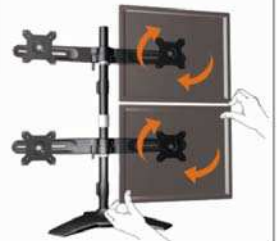
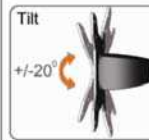
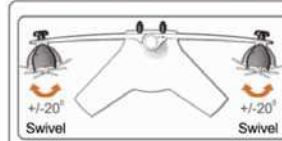
Torque Adjust



Arm Adjust(For each Arm)



Swivel & Tilt ; Rotate(Pivot) / Torque Adjust



Available at:

Ladders & Hardware Pte Ltd

1 Rochor Canal Road #02-67 Sim Lim Square Singapore 188504

Tel: 63360404 Fax: 63380404 Email: jjaying@singnet.com.sg www.laddersandhardware.com