

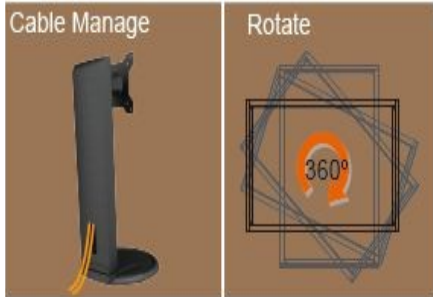
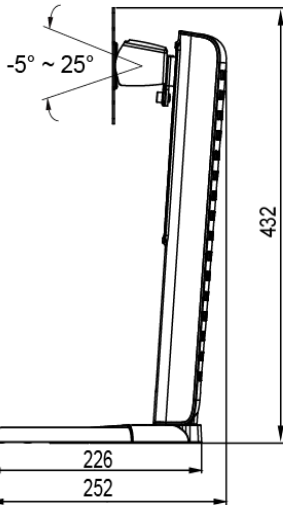
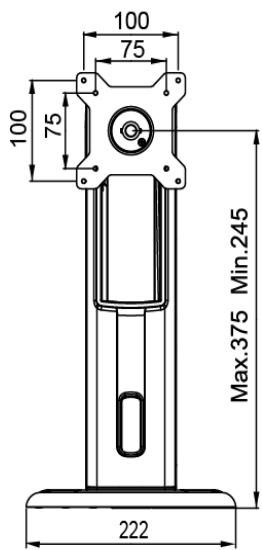
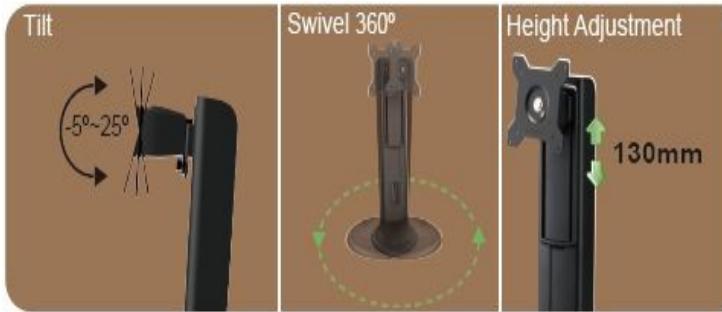
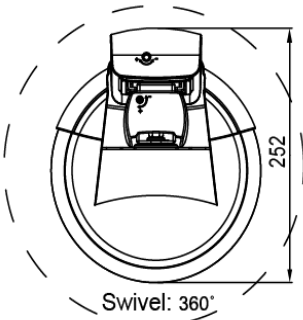


**Model : HA741**

Issue Date:15/10/2012 (B)

**SPECIFICATIONS**

Max Hole Pitch	100x100/75x75mm
Screw Type	M4
Material	Steel/Plastic/Aluminum
Dimension(W*H*D)	222*432*252mm(8.7"x17.07"x9.92")
Weight	3 Kg
Height Adjustment range	130mm
Tilt	- 5°(down) ~ 25° ( up )
Swivel	360°
Support max. weight	8kg(17.64 lbs)
Rotate(Pivot)	360°



**Ladders & Hardware Pte Ltd**

1 Rochor Canal Road #02-37 Sim Lim Square Singapore 188504 Tel: 63360404 Fax: 63380404  
 www.laddersandhardware.com Email: [jjaying@singnet.com.sg](mailto:jjaying@singnet.com.sg) | [email@laddersandhardware.com](mailto:email@laddersandhardware.com)