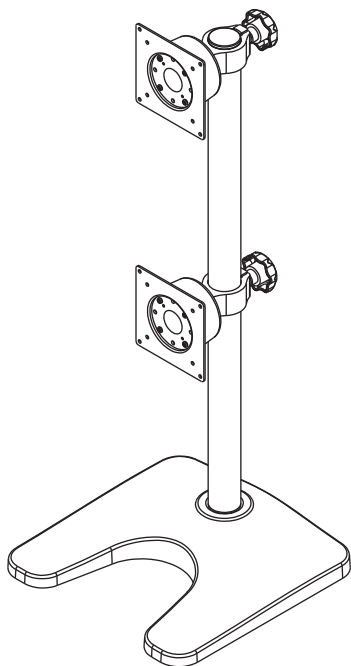
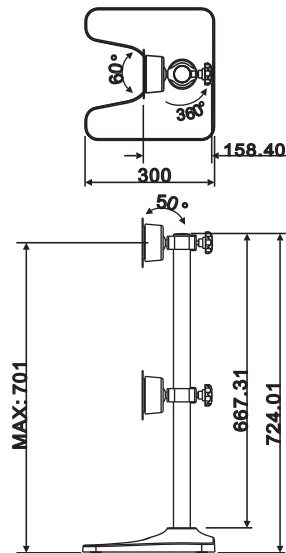
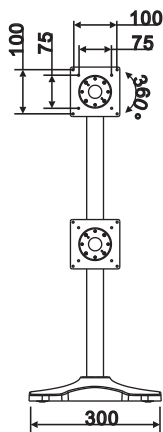


LCD Monitor Table Arms

Specification



1. Apply up to 26" LCD Monitor which weight is less than 15kgs and have VESA mounting
2. Meets VESA standard (75x75mm and 100x100mm)
3. Each arm loading: 15kgs



Unit:mm

Parts List

MAIN PARTS

ITEM	1	2	3	4	5	6	7
PARTS							
QTY	1	1	2	2	2	2	1

PARTS FOR TV BRACKETS

ITEM	8	9	10	11	12
PARTS					
QTY	1	8	8	2	2

- Beware of the specification as first page.
- Please evaluate the desk material whether is stable for installation.
- Recommend the other persons to hold the monitor.
- Unplug all the cables off the TV.

LCD Monitor Table Arms

Installation

